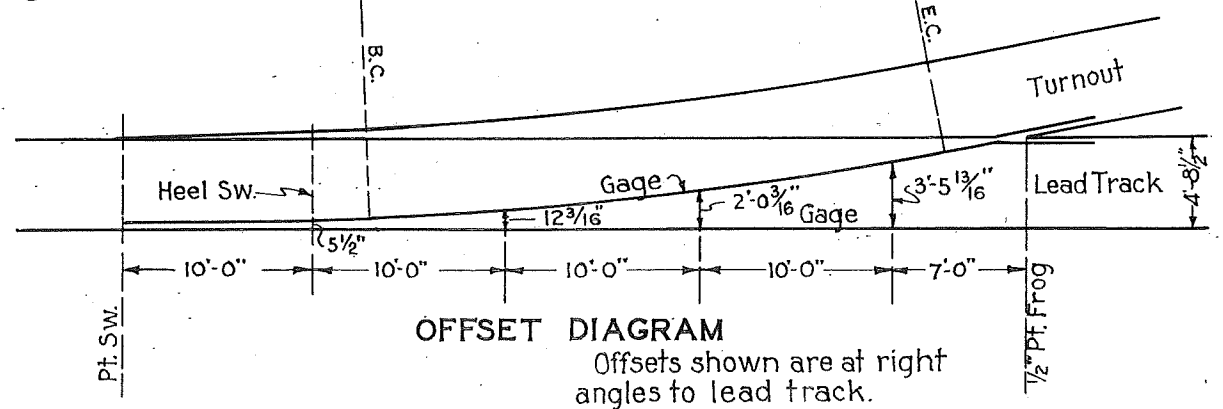
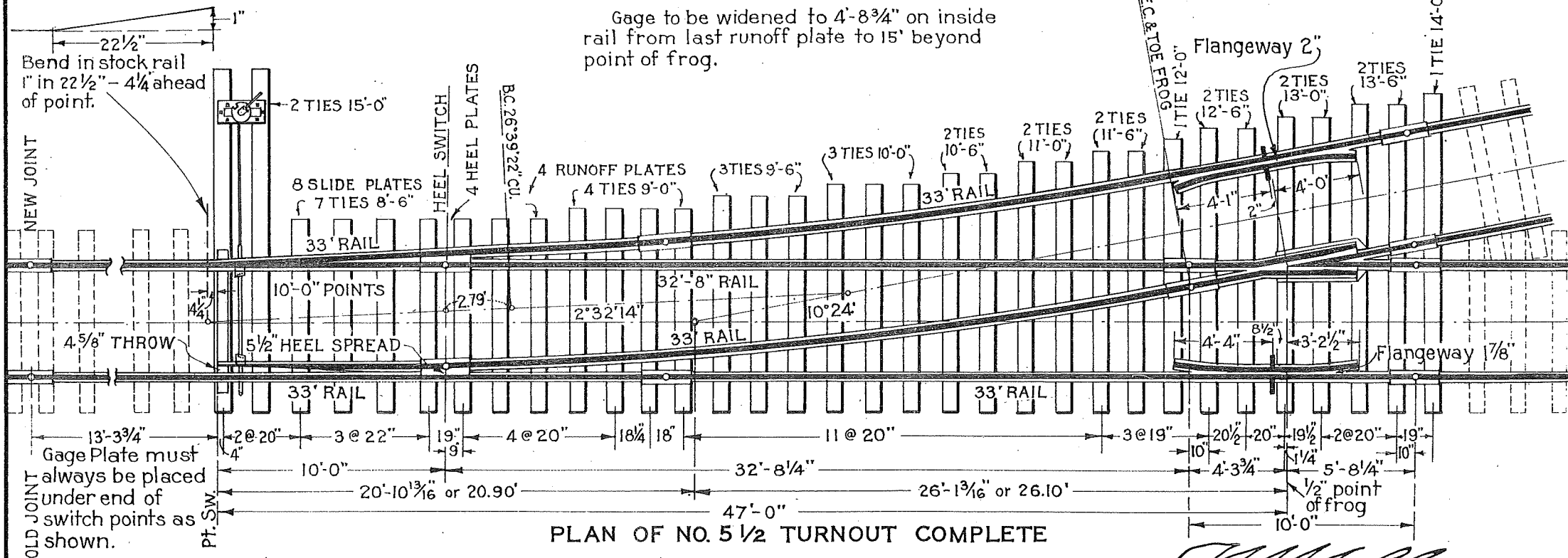


	PIECES 7"x9"														TOTAL NUMBER PIECES	TOTAL FEET B.M.
	9x12" 16'-0"	8'-6"	9'-0"	9'-6"	10'-0"	10'-6"	11'-0"	11'-6"	12'-0"	12'-6"	13'-0"	13'-6"	14'-0"	15'-0"		
DOUBLE HEADBLOCK	0	7	4	3	3	2	2	2	1	2	2	2	1	2	33	1858.5
SINGLE HEADBLOCK	1	8	4	3	3	2	2	2	1	2	2	2	1	0	33	1889.6

When single headblock is used place the 9"x12"x 16'-0" tie under end of switch points.

FROG ANGLE 10°24'
 DEGREE OF TURNOUT CURVE 26°39'22"
 LEAD 47'-0"
 CLOSURE RAILS 1-33', 1-32'-8"
 Other lengths may be used for closure rails but minimum length must not be less than 15 feet.



APPROVED: *J. M. Williams*
 CHIEF ENGINEER

APPROVED: *E. W. Mason*
 VICE PRESIDENT AND GENERAL MANAGER

THE WESTERN PACIFIC RAILROAD CO.
 STANDARD

NO. 5 1/2 TURNOUT COMPLETE
 FOR USE WITH 85 LB. 33' RAIL-10'-0" POINTS

No Scale Adopted Feb. 1, 1937