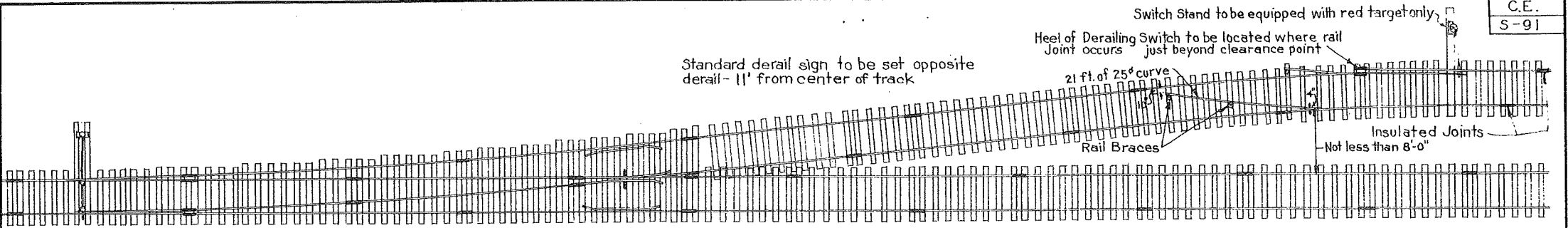
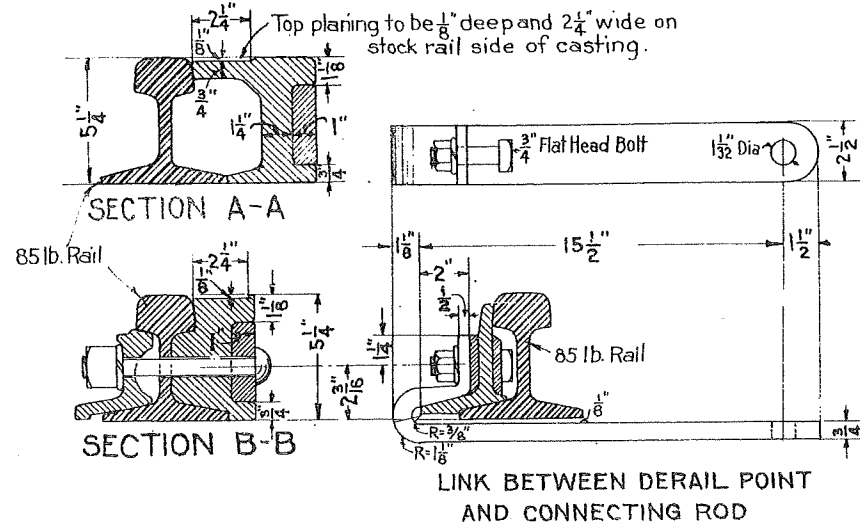


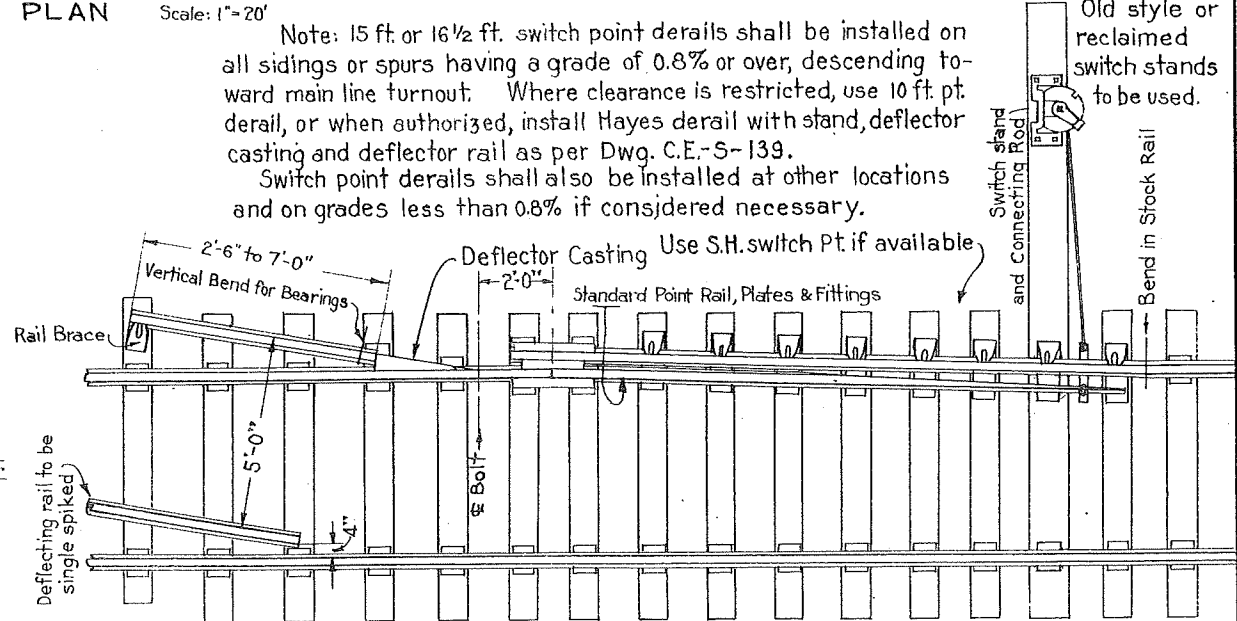
C.E.  
S-91



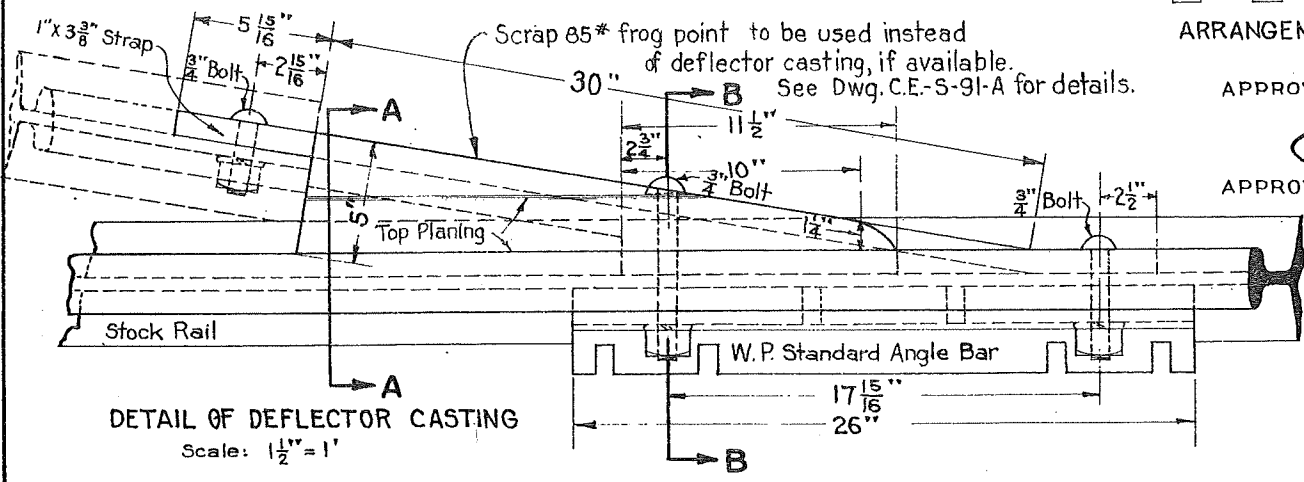
GENERAL PLAN Scale: 1" = 20'



Note: 15 ft. or 16 1/2 ft. switch point derails shall be installed on all sidings or spurs having a grade of 0.8% or over, descending toward main line turnout. Where clearance is restricted, use 10 ft. pt. derail, or when authorized, install Hayes derail with stand, deflector casting and deflector rail as per Dwg. C.E.-S-139. Switch point derails shall also be installed at other locations and on grades less than 0.8% if considered necessary.



ARRANGEMENT OF POINT AND DEFLECTING RAILS Scale: 1" = 5'



DETAIL OF DEFLECTOR CASTING Scale: 1 1/2" = 1'

APPROVED *J. Williams*  
CHIEF ENGINEER

APPROVED *G.W. Mason*  
VICE-PRESIDENT & GENERAL MANAGER

THE WESTERN PACIFIC RAILROAD CO.

STANDARD  
SWITCH POINT DERAIL  
85 LB. RAIL

SCALES AS NOTED ADOPTED APRIL 4, 1931.  
Revised Oct. 23, 1936.